

# Cominix

## Tooling Catalog 2020

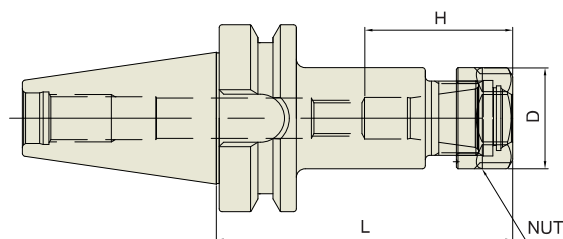
### Vol.1

#### YG-1

- BT.....004
- HSK .....007
- K.....009
- 部品 .....010

## BT

## ERコレットチャック

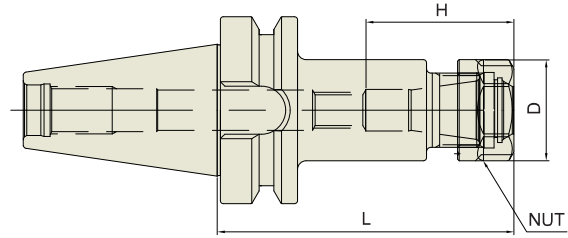


CBT	テーパー 精度 AT3	バランス 等級 2.5	RPM 25,000	クーラント システム AD
-----	-------------------	-------------------	---------------	---------------------

## CBT30-ER (二面拘束仕様)

型番	WEBコード <sup>2</sup>	φD	H	L	把握径	ナット	適応コレット	価格
CBT30-ER11-45	332182	19	45	45	0.5~7.0	M14X0.75	ER11	20,800
CBT30-ER11-60	332183	19	45	60	0.5~7.0	M14X0.75	ER11	21,100
CBT30-ER11-75	332184	19	45	75	0.5~7.0	M14X0.75	ER11	21,100
CBT30-ER11-90	332185	19	45	90	0.5~7.0	M14X0.75	ER11	22,200
CBT30-ER11-105	332186	19	45	105	0.5~7.0	M14X0.75	ER11	24,200
CBT30-ER11-120	332187	19	45	120	0.5~7.0	M14X0.75	ER11	24,700
CBT30-ER11-135	332188	19	45	135	0.5~7.0	M14X0.75	ER11	25,500
CBT30-ER16-60	332189	28	45	60	0.5~10.0	M22X1.50	ER16	21,100
CBT30-ER16-75	332190	28	45	75	0.5~10.0	M22X1.50	ER16	21,100
CBT30-ER16-90	332191	28	45	90	0.5~10.0	M22X1.50	ER16	22,200
CBT30-ER16-105	332192	28	45	105	0.5~10.0	M22X1.50	ER16	24,200
CBT30-ER16-120	332193	28	45	120	0.5~10.0	M22X1.50	ER16	26,300
CBT30-ER16-135	332194	28	45	135	0.5~10.0	M22X1.50	ER16	26,900
CBT30-ER20-60	332195	34	50	60	0.5~13.0	M25X1.50	ER20	21,800
CBT30-ER20-75	332196	34	50	75	0.5~13.0	M25X1.50	ER20	21,800
CBT30-ER20-90	332197	34	50	90	0.5~13.0	M25X1.50	ER20	22,800
CBT30-ER20-105	332198	34	50	105	0.5~13.0	M25X1.50	ER20	25,000
CBT30-ER20-120	332199	34	50	120	0.5~13.0	M25X1.50	ER20	26,800
CBT30-ER20-135	332200	34	50	135	0.5~13.0	M25X1.50	ER20	27,400
CBT30-ER25-60	332201	42	57	60	1.0~16.0	M32X1.50	ER25	22,400
CBT30-ER25-75	332202	42	65	75	1.0~16.0	M32X1.50	ER25	22,400
CBT30-ER25-90	332203	42	65	90	1.0~16.0	M32X1.50	ER25	23,500
CBT30-ER25-105	332204	42	65	105	1.0~16.0	M32X1.50	ER25	25,700
CBT30-ER25-120	332205	42	65	120	1.0~16.0	M32X1.50	ER25	27,500
CBT30-ER25-135	332206	42	65	135	1.0~16.0	M32X1.50	ER25	31,300
CBT30-ER32-60	332207	50	56.5	60	1.0~20.0	M40X1.50	ER32	23,500
CBT30-ER32-75	332208	50	65	75	1.0~20.0	M40X1.50	ER32	23,500
CBT30-ER32-90	332209	50	65	90	1.0~20.0	M40X1.50	ER32	24,700
CBT30-ER32-105	332210	50	65	105	1.0~20.0	M40X1.50	ER32	27,000
CBT30-ER32-120	332211	50	65	120	1.0~20.0	M40X1.50	ER32	29,400
CBT30-ER32-135	332212	50	65	135	1.0~20.0	M40X1.50	ER32	30,000

## ERコレットチャック



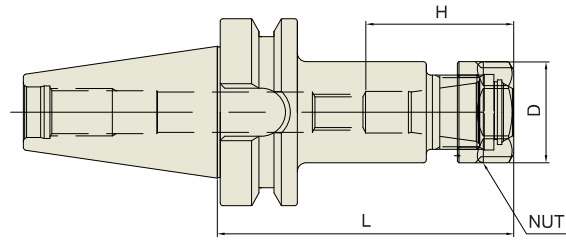
CBT	テーパ 精度 AT3	バランス 等級 2.5	RPM 25,000	クーラント システム AD
-----	------------------	-------------------	---------------	---------------------

## CBT40-ER (二面拘束仕様)

型番	WEBコード	φD	H	L	把握径	ナット	適応コレット	価格
CBT40-ER11-60	332213	19	45	60	0.5~7.0	M14X0.75	ER11	22,100
CBT40-ER11-75	332214	19	45	75	0.5~7.0	M14X0.75	ER11	22,100
CBT40-ER11-90	332215	19	45	90	0.5~7.0	M14X0.75	ER11	23,300
CBT40-ER11-105	332216	19	45	105	0.5~7.0	M14X0.75	ER11	25,700
CBT40-ER11-120	332217	19	45	120	0.5~7.0	M14X0.75	ER11	28,300
CBT40-ER11-135	332218	19	45	135	0.5~7.0	M14X0.75	ER11	28,800
CBT40-ER11-150	332219	19	45	150	0.5~7.0	M14X0.75	ER11	31,600
CBT40-ER11-165	332220	19	45	165	0.5~7.0	M14X0.75	ER11	32,200
CBT40-ER11-200	332221	19	45	200	0.5~7.0	M14X0.75	ER11	33,100
CBT40-ER16-60	332222	28	45	60	0.5~10.0	M22X1.50	ER16	22,100
CBT40-ER16-75	332223	28	45	75	0.5~10.0	M22X1.50	ER16	22,100
CBT40-ER16-90	332224	28	45	90	0.5~10.0	M22X1.50	ER16	23,300
CBT40-ER16-105	332225	28	45	105	0.5~10.0	M22X1.50	ER16	25,700
CBT40-ER16-120	332226	28	45	120	0.5~10.0	M22X1.50	ER16	29,000
CBT40-ER16-135	332227	28	45	135	0.5~10.0	M22X1.50	ER16	29,600
CBT40-ER16-150	332228	28	45	150	0.5~10.0	M22X1.50	ER16	32,700
CBT40-ER16-165	332229	28	45	165	0.5~10.0	M22X1.50	ER16	33,200
CBT40-ER16-200	332230	28	45	200	0.5~10.0	M22X1.50	ER16	34,100
CBT40-ER20-60	332231	34	50	60	0.5~13.0	M25X1.50	ER20	22,800
CBT40-ER20-75	332232	34	50	75	0.5~13.0	M25X1.50	ER20	22,800
CBT40-ER20-90	332233	34	50	90	0.5~13.0	M25X1.50	ER20	23,900
CBT40-ER20-105	332234	34	50	105	0.5~13.0	M25X1.50	ER20	26,500
CBT40-ER20-120	332235	34	50	120	0.5~13.0	M25X1.50	ER20	29,600
CBT40-ER20-135	332236	34	50	135	0.5~13.0	M25X1.50	ER20	30,600
CBT40-ER20-150	332237	34	50	150	0.5~13.0	M25X1.50	ER20	33,500
CBT40-ER20-165	332238	34	50	165	0.5~13.0	M25X1.50	ER20	34,100
CBT40-ER20-200	332239	34	50	200	0.5~13.0	M25X1.50	ER20	34,900
CBT40-ER25-60	332240	42	65	60	1.0~16.0	M32X1.50	ER25	23,500
CBT40-ER25-75	332241	42	65	75	1.0~16.0	M32X1.50	ER25	23,500
CBT40-ER25-90	332242	42	65	90	1.0~16.0	M32X1.50	ER25	24,700
CBT40-ER25-105	332243	42	65	105	1.0~16.0	M32X1.50	ER25	27,300
CBT40-ER25-120	332244	42	65	120	1.0~16.0	M32X1.50	ER25	30,300
CBT40-ER25-135	332245	42	65	135	1.0~16.0	M32X1.50	ER25	31,200
CBT40-ER25-150	332246	42	65	150	1.0~16.0	M32X1.50	ER25	34,100
CBT40-ER25-165	332247	42	65	165	1.0~16.0	M32X1.50	ER25	34,700
CBT40-ER25-200	332248	42	65	200	1.0~16.0	M32X1.50	ER25	35,500
CBT40-ER32-60	332249	50	65	60	1.0~20.0	M40X1.50	ER32	24,700
CBT40-ER32-75	332250	50	65	75	1.0~20.0	M40X1.50	ER32	24,700
CBT40-ER32-90	332251	50	65	90	1.0~20.0	M40X1.50	ER32	25,900
CBT40-ER32-105	332252	50	65	105	1.0~20.0	M40X1.50	ER32	28,600
CBT40-ER32-120	332253	50	65	120	1.0~20.0	M40X1.50	ER32	31,900
CBT40-ER32-135	332254	50	65	135	1.0~20.0	M40X1.50	ER32	32,500
CBT40-ER32-150	332255	50	65	150	1.0~20.0	M40X1.50	ER32	34,700
CBT40-ER32-165	332256	50	65	165	1.0~20.0	M40X1.50	ER32	35,300
CBT40-ER32-200	332257	50	65	200	1.0~20.0	M40X1.50	ER32	36,200
CBT40-ER40-90	332258	63	75	90	2.0~30.0	M50X1.50	ER40	28,500
CBT40-ER40-120	332259	63	75	120	2.0~30.0	M50X1.50	ER40	31,500

## BT

## ERコレットチャック

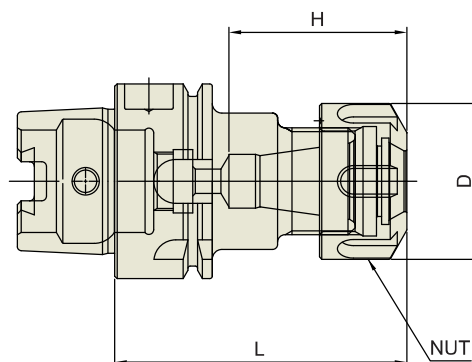


CBT	テーパー 精度 AT3	バランス 等級 2.5	RPM 25,000	クーラント システム AD
-----	-------------------	-------------------	---------------	---------------------

## CBT50-ER(二面拘束仕様)

型番	WEBコード <sup>2</sup>	φD	H	L	把握径	ナット	適応コレット	価格
CBT50-ER16-90	332260	28	45	90	0.5~10.0	M22X1.50	ER16	30,800
CBT50-ER16-105	332261	28	45	105	0.5~10.0	M22X1.50	ER16	31,600
CBT50-ER16-120	332262	28	45	120	0.5~10.0	M22X1.50	ER16	32,500
CBT50-ER16-135	332263	28	45	135	0.5~10.0	M22X1.50	ER16	32,900
CBT50-ER16-165	332264	28	45	165	0.5~10.0	M22X1.50	ER16	34,200
CBT50-ER16-200	332265	28	45	200	0.5~10.0	M22X1.50	ER16	36,000
CBT50-ER16-250	332266	28	45	250	0.5~10.0	M22X1.50	ER16	46,500
CBT50-ER16-300	332267	28	45	300	0.5~10.0	M22X1.50	ER16	50,800
CBT50-ER20-90	332268	34	50	90	0.5~13.0	M25X1.50	ER20	31,100
CBT50-ER20-105	332269	34	50	105	0.5~13.0	M25X1.50	ER20	32,000
CBT50-ER20-120	332270	34	50	120	0.5~13.0	M25X1.50	ER20	32,900
CBT50-ER20-135	332271	34	50	135	0.5~13.0	M25X1.50	ER20	33,300
CBT50-ER20-165	332272	34	50	165	0.5~13.0	M25X1.50	ER20	35,000
CBT50-ER20-200	332273	34	50	200	0.5~13.0	M25X1.50	ER20	37,200
CBT50-ER20-250	332274	34	50	250	0.5~13.0	M25X1.50	ER20	47,700
CBT50-ER20-300	332275	34	50	300	0.5~13.0	M25X1.50	ER20	52,500
CBT50-ER25-75	332276	42	65	75	1.0~16.0	M32X1.50	ER25	31,600
CBT50-ER25-90	332277	42	65	90	1.0~16.0	M32X1.50	ER25	31,600
CBT50-ER25-105	332278	42	65	105	1.0~16.0	M32X1.50	ER25	32,500
CBT50-ER25-120	332279	42	65	120	1.0~16.0	M32X1.50	ER25	33,300
CBT50-ER25-135	332280	42	65	135	1.0~16.0	M32X1.50	ER25	33,800
CBT50-ER25-165	332281	42	65	165	1.0~16.0	M32X1.50	ER25	35,500
CBT50-ER25-200	332282	42	65	200	1.0~16.0	M32X1.50	ER25	37,700
CBT50-ER25-250	332283	42	65	250	1.0~16.0	M32X1.50	ER25	50,000
CBT50-ER32-75	332284	50	65	75	1.0~20.0	M40X1.50	ER32	32,500
CBT50-ER32-90	332285	50	65	90	1.0~20.0	M40X1.50	ER32	32,500
CBT50-ER32-105	332286	50	65	105	1.0~20.0	M40X1.50	ER32	33,300
CBT50-ER32-120	332287	50	65	120	1.0~20.0	M40X1.50	ER32	34,200
CBT50-ER32-135	332288	50	65	135	1.0~20.0	M40X1.50	ER32	34,700
CBT50-ER32-165	332289	50	65	165	1.0~20.0	M40X1.50	ER32	35,500
CBT50-ER32-200	332290	50	65	200	1.0~20.0	M40X1.50	ER32	38,600
CBT50-ER32-250	332291	50	65	250	1.0~20.0	M40X1.50	ER32	51,300
CBT50-ER40-105	332292	63	75	105	2.0~30.0	M50X1.50	ER40	35,000
CBT50-ER40-135	332293	63	75	135	2.0~30.0	M50X1.50	ER40	37,000

ERコレットチャック



DIN 69893 - HSK	テーパー 精度 -	バランス 等級 6.3	RPM 15,000	クーラント システム AD
--------------------	-----------------	-------------------	---------------	---------------------

HSK63A-ER

型番	WEBコード	φD	H	L	把握径	ナット	適応コレット	価格
HSK63A-ER11-75	332294	19	28.6	75	0.5~7.0	M14X0.75	ER11	25,500
HSK63A-ER11-90	332295	19	45	90	0.5~7.0	M14X0.75	ER11	26,700
HSK63A-ER11-105	332296	19	45	105	0.5~7.0	M14X0.75	ER11	29,500
HSK63A-ER11-120	332297	19	45	120	0.5~7.0	M14X0.75	ER11	35,400
HSK63A-ER11-135	332298	19	45	135	0.5~7.0	M14X0.75	ER11	36,600
HSK63A-ER11-150	332299	19	45	150	0.5~7.0	M14X0.75	ER11	38,600
HSK63A-ER11-165	332300	19	45	165	0.5~7.0	M14X0.75	ER11	40,300
HSK63A-ER16-105	332301	28	45	105	0.5~10.0	M22X1.50	ER16	29,500
HSK63A-ER16-120	332302	28	45	120	0.5~10.0	M22X1.50	ER16	35,400
HSK63A-ER16-135	332303	28	45	135	0.5~10.0	M22X1.50	ER16	36,900
HSK63A-ER16-150	332304	28	45	150	0.5~10.0	M22X1.50	ER16	39,300
HSK63A-ER16-165	332305	28	45	165	0.5~10.0	M22X1.50	ER16	40,000
HSK63A-ER20-105	332306	34	50	105	0.5~13.0	M25X1.50	ER20	30,400
HSK63A-ER20-120	332307	34	50	120	0.5~13.0	M25X1.50	ER20	36,500
HSK63A-ER20-135	332308	34	50	135	0.5~13.0	M25X1.50	ER20	38,000
HSK63A-ER20-150	332309	34	50	150	0.5~13.0	M25X1.50	ER20	40,000
HSK63A-ER20-165	332310	34	50	165	0.5~13.0	M25X1.50	ER20	41,500
HSK63A-ER25-105	332311	42	57	105	1.0~16.0	M32X1.50	ER25	31,300
HSK63A-ER25-120	332312	42	65	120	1.0~16.0	M32X1.50	ER25	37,600
HSK63A-ER25-135	332313	42	65	135	1.0~16.0	M32X1.50	ER25	39,200
HSK63A-ER25-150	332314	42	65	150	1.0~16.0	M32X1.50	ER25	41,000
HSK63A-ER25-165	332315	42	65	165	1.0~16.0	M32X1.50	ER25	41,900
HSK63A-ER25-200	332316	42	65	200	1.0~16.0	M32X1.50	ER25	44,600
HSK63A-ER32-105	332317	50	56.5	105	1.0~20.0	M40X1.50	ER32	32,900
HSK63A-ER32-120	332318	50	65	120	1.0~20.0	M40X1.50	ER32	39,500
HSK63A-ER32-135	332319	50	65	135	1.0~20.0	M40X1.50	ER32	41,100
HSK63A-ER32-150	332320	50	65	150	1.0~20.0	M40X1.50	ER32	43,300
HSK63A-ER32-165	332321	50	65	165	1.0~20.0	M40X1.50	ER32	44,900
HSK63A-ER32-200	332322	50	65	200	1.0~20.0	M40X1.50	ER32	46,900

Y G I

BT

HSK

K

部品

聖和精密

マパール

レゴフィックス

コレット

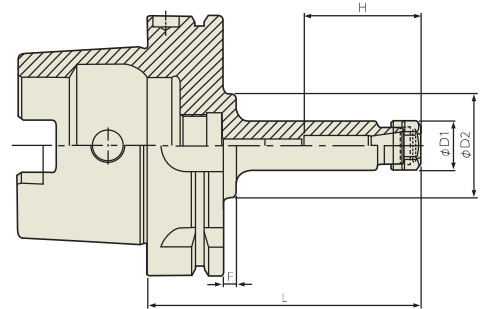
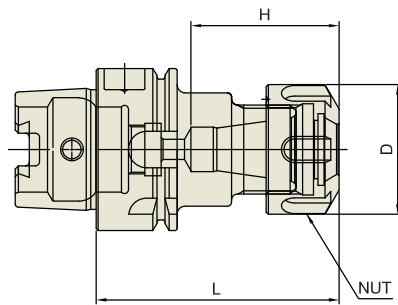
アルファシス

EWS

菅根田工業

## HSK

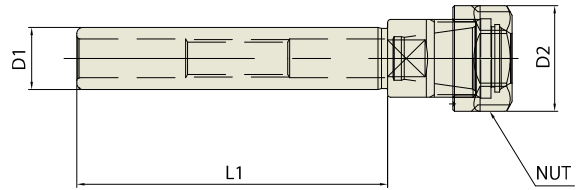
## ERコレットチャック

DIN 69893  
- HSKテーパ  
精度  
-バランス  
等級  
6.3RPM  
15,000クーラント  
システム  
AD

## HSK100A-ER

型番	WEBコード	φD1	φD2	F	H	L	把握径	ナット	適応コレット	価格
HSK100A-ER11-90	332323	19	50	10	45	90	0.5~7.0	M14X0.75	ER11	39,000
HSK100A-ER11-105	332324	19	50	10	45	105	0.5~7.0	M14X0.75	ER11	39,900
HSK100A-ER11-120	332325	19	50	10	45	120	0.5~7.0	M14X0.75	ER11	44,200
HSK100A-ER11-135	332326	19	50	10	45	135	0.5~7.0	M14X0.75	ER11	46,100
HSK100A-ER11-150	332327	19	50	10	45	150	0.5~7.0	M14X0.75	ER11	48,200
HSK100A-ER11-165	332328	19	50	10	45	165	0.5~7.0	M14X0.75	ER11	50,700
HSK100A-ER16-105	332329	28			45	105	0.5~10.0	M22X1.50	ER16	41,000
HSK100A-ER16-120	332330	28			45	120	0.5~10.0	M22X1.50	ER16	41,900
HSK100A-ER16-135	332331	28			45	135	0.5~10.0	M22X1.50	ER16	42,800
HSK100A-ER16-150	332332	28			45	150	0.5~10.0	M22X1.50	ER16	48,200
HSK100A-ER16-165	332333	28			45	165	0.5~10.0	M22X1.50	ER16	50,700
HSK100A-ER20-105	332334	34			50	105	0.5~13.0	M25X1.50	ER20	41,600
HSK100A-ER20-120	332335	34			50	120	0.5~13.0	M25X1.50	ER20	42,500
HSK100A-ER20-135	332336	34			50	135	0.5~13.0	M25X1.50	ER20	43,300
HSK100A-ER20-150	332337	34			50	150	0.5~13.0	M25X1.50	ER20	49,600
HSK100A-ER20-165	332338	34			50	165	0.5~13.0	M25X1.50	ER20	51,500
HSK100A-ER20-200	332339	34			50	200	0.5~13.0	M25X1.50	ER20	53,800
HSK100A-ER25-105	332340	42			57	105	1.0~16.0	M32X1.50	ER25	42,100
HSK100A-ER25-120	332341	42			65	120	1.0~16.0	M32X1.50	ER25	43,000
HSK100A-ER25-135	332342	42			65	135	1.0~16.0	M32X1.50	ER25	44,000
HSK100A-ER25-150	332343	42			65	150	1.0~16.0	M32X1.50	ER25	48,900
HSK100A-ER25-165	332344	42			65	165	1.0~16.0	M32X1.50	ER25	52,200
HSK100A-ER25-200	332345	42			65	200	1.0~16.0	M32X1.50	ER25	54,600
HSK100A-ER32-105	332346	50			56.5	105	1.0~20.0	M40X1.50	ER32	43,300
HSK100A-ER32-120	332347	50			65	120	1.0~20.0	M40X1.50	ER32	44,100
HSK100A-ER32-135	332348	50			65	135	1.0~20.0	M40X1.50	ER32	45,000
HSK100A-ER32-150	332349	50			65	150	1.0~20.0	M40X1.50	ER32	47,200
HSK100A-ER32-165	332350	50			65	165	1.0~20.0	M40X1.50	ER32	50,400
HSK100A-ER32-200	332351	50			65	200	1.0~20.0	M40X1.50	ER32	54,000

## ERコレットチャック



型番	WEBコード	D1	D2	ナット部	L1	工具挿入部までの長さ	全長	把握径	価格
K20-ER11-100	332352	20	19		100		129,6	0,5~7,0	17,100
K20-ER11-150	332353	20	19		150		179,6	0,5~7,0	17,700
K20-ER16-100	332354	20	28		100		136	0,5~10,0	17,100
K20-ER16-150	332355	20	28		150		186	0,5~10,0	17,700
K20-ER20-100	332356	20	34		100		140	0,5~13,0	17,700
K20-ER20-150	332357	20	34		150		190	0,5~13,0	18,200
K25-ER16-150	332358	25	28		150		185,9	0,5~10,0	18,200
K25-ER16-200	332359	25	28		200		235,9	0,5~10,0	25,800
K25-ER20-150	332360	20	34		150		190	0,5~13,0	18,800
K25-ER20-200	332361	25	34		200		239,9	0,5~13,0	26,600
K25-ER25-150	332362	25	42		150		200,9	1,0~16,0	19,300
K25-ER25-200	332363	25	42		200		250,9	1,0~16,0	27,400
K32-ER16-150	332364	32	28		150		185,9	0,5~10,0	19,100
K32-ER16-200	332365	32	28		200		235,9	0,5~10,0	26,700
K32-ER20-150	332366	32	34		150		190	0,5~13,0	19,700
K32-ER20-200	332367	32	34		200		240	0,5~13,0	27,500
K32-ER25-150	332368	32	42		150		200,9	1,0~16,0	20,300
K32-ER25-200	332369	32	42		200		250,9	1,0~16,0	28,200
K32-ER32-150	332370	32	50		150		208	1,0~20,0	21,300
K32-ER32-200	332371	32	50		200		258	1,0~20,0	32,900

## 部品

## ERコレットチャック



## ER

型番	WEBコード	把握範囲	価格
ER11-1.0	332384	0.5-1.0	2,740
ER11-1.5	332385	1.0-1.5	2,740
ER11-2.0	332386	1.5-2.0	2,740
ER11-2.5	332387	2.0-2.5	2,740
ER11-3.0	332388	2.5-3.0	2,260
ER11-3.5	332389	3.0-3.5	2,260
ER11-4.0	332390	3.5-4.0	2,260
ER11-4.5	332391	4.0-4.5	2,260
ER11-5.0	332392	4.5-5.0	2,260
ER11-5.5	332393	5.0-5.5	2,260
ER11-6.0	332394	5.5-6.0	2,260
ER11-6.5	332395	6.0-6.5	2,260
ER11-7.0	332396	6.5-7.0	2,260

型番	WEBコード	把握範囲	価格
ER16-1.0	332397	0.5-1.0	2,740
ER16-1.5	332398	1.0-1.5	2,740
ER16-2.0	332399	1.0-2.0	2,740
ER16-2.5	332400	2.0-2.5	2,740
ER16-3.0	332401	2.0-3.0	2,260
ER16-4.0	332402	3.0-4.0	2,260
ER16-5.0	332403	4.0-5.0	2,260
ER16-6.0	332404	5.0-6.0	2,260
ER16-7.0	332405	6.0-7.0	2,260
ER16-8.0	332406	7.0-8.0	2,260
ER16-9.0	332407	8.0-9.0	2,260
ER16-10.0	332408	9.0-10.0	2,260

型番	WEBコード	把握範囲	価格
ER20-1.0	332409	0.5-1.0	3,130
ER20-1.5	332410	1.0-1.5	3,130
ER20-2.0	332411	1.0-2.0	3,130
ER20-2.5	332412	2.0-2.5	3,130
ER20-3.0	332413	2.0-3.0	2,650
ER20-4.0	332414	3.0-4.0	2,650
ER20-5.0	332415	4.0-5.0	2,650
ER20-6.0	332416	5.0-6.0	2,650
ER20-7.0	332417	6.0-7.0	2,650
ER20-8.0	332418	7.0-8.0	2,650
ER20-9.0	332419	8.0-9.0	2,650
ER20-10.0	332420	9.0-10.0	2,650
ER20-11.0	332421	10.0-11.0	2,650
ER20-12.0	332422	11.0-12.0	2,650
ER20-13.0	332423	12.0-13.0	2,650

型番	WEBコード	把握範囲	価格
ER25-1.5	332424	1.0-1.5	3,360
ER25-2.0	332425	1.0-2.0	3,360
ER25-2.5	332426	2.0-2.5	3,360
ER25-3.0	332427	2.0-3.0	2,790
ER25-4.0	332428	3.0-4.0	2,790
ER25-5.0	332429	4.0-5.0	2,790
ER25-6.0	332430	5.0-6.0	2,790
ER25-7.0	332431	6.0-7.0	2,790
ER25-8.0	332432	7.0-8.0	2,790
ER25-9.0	332433	8.0-9.0	2,790
ER25-10.0	332434	9.0-10.0	2,790
ER25-11.0	332435	10.0-11.0	2,790
ER25-12.0	332436	11.0-12.0	2,790
ER25-13.0	332437	12.0-13.0	2,790
ER25-14.0	332438	13.0-14.0	2,790
ER25-15.0	332439	14.0-15.0	2,790
ER25-16.0	332440	15.0-16.0	2,790

型番	WEBコード	把握範囲	価格
ER32-2.0	332441	1.0-2.0	3,600
ER32-2.5	332442	2.0-2.5	3,600
ER32-3.0	332443	2.0-3.0	2,930
ER32-4.0	332444	3.0-4.0	2,930
ER32-5.0	332445	4.0-5.0	2,930
ER32-6.0	332446	5.0-6.0	2,930
ER32-7.0	332447	6.0-7.0	2,930
ER32-8.0	332448	7.0-8.0	2,930
ER32-9.0	332449	8.0-9.0	2,930
ER32-10.0	332450	9.0-10.0	2,930
ER32-11.0	332451	10.0-11.0	2,930
ER32-12.0	332452	11.0-12.0	2,930
ER32-13.0	332453	12.0-13.0	2,930
ER32-14.0	332454	13.0-14.0	2,930
ER32-15.0	332455	14.0-15.0	2,930
ER32-16.0	332456	15.0-16.0	2,930
ER32-17.0	332457	16.0-17.0	2,930
ER32-18.0	332458	17.0-18.0	2,930
ER32-19.0	332459	18.0-19.0	2,930
ER32-20.0	332460	19.0-20.0	2,930

型番	WEBコード	把握範囲	価格
ER40-3.0	332461	2.0-3.0	3,470
ER40-4.0	332462	3.0-4.0	3,470
ER40-5.0	332463	4.0-5.0	3,470
ER40-6.0	332464	5.0-6.0	3,470
ER40-7.0	332465	6.0-7.0	3,470
ER40-8.0	332466	7.0-8.0	3,470
ER40-9.0	332467	8.0-9.0	3,470
ER40-10.0	332468	9.0-10.0	3,470
ER40-11.0	332469	10.0-11.0	3,470
ER40-12.0	332470	11.0-12.0	3,470
ER40-13.0	332471	12.0-13.0	3,470
ER40-14.0	332472	13.0-14.0	3,470
ER40-15.0	332473	14.0-15.0	3,470
ER40-16.0	332474	15.0-16.0	3,470
ER40-17.0	332475	16.0-17.0	3,470
ER40-18.0	332476	17.0-18.0	3,470
ER40-19.0	332477	18.0-19.0	3,470
ER40-20.0	332478	19.0-20.0	3,470
ER40-21.0	332479	20.0-21.0	3,470
ER40-22.0	332480	21.0-22.0	3,470
ER40-23.0	332481	22.0-23.0	3,470
ER40-24.0	332482	23.0-24.0	3,470
ER40-25.0	332483	24.0-25.0	3,470
ER40-26.0	332484	25.0-26.0	3,470
ER40-27.0	332485	26.0-27.0	3,470
ER40-28.0	332486	27.0-28.0	3,470
ER40-29.0	332487	28.0-29.0	3,470
ER40-30.0	332488	29.0-30.0	3,470

## ERコレット 互換表(8°テーパ)

メーカー	イ斯卡ル	アルプスツール	聖和精機	ユキワ精工	共立精機	レゴ	シャブリン	ケナメタル
型番	ER11	AR11-D1	CR07	EY11	ESX12	ER11	E(S)X12	11ER
	ER16	AR16-D1	CR10	EY16	ESX16	ER16	E(S)X16	16ER
	ER20	AR20-D1	CR13	EY20	ESX20	ER20	E(S)X20	20ER
	ER25	AR25-D1	CR16	EY25	—	ER25	E(S)X25	25ER

## Spanner

型番	WEBコード	価格
Spanner ER11	332372	1,250
Spanner ER16	332373	1,250
Spanner ER20	332374	1,620
Spanner ER25	332375	1,750
Spanner ER32	332376	1,950
Spanner ER40	332377	3,270

## XSQ

型番	WEBコード	ねじ	径	長さ	価格
XSQ-R11	332378	M14x0.75	19.0	12.0	5,670
XSQ-R16	332379	M22x1.50	28.0	18.0	5,670
XSQ-R20	332380	M25x1.50	34.0	19.5	5,910
XSQ-RU25	332381	M32x1.50	42.0	20.5	6,620
XSQ-RU32	332382	M40x1.50	50.0	23.0	6,900
XSQ-RU40	332383	M50x1.50	63.0	26.0	7,370



Rタイプ



RUタイプ